

# Butterfly valves DPX - DPAX

## FEATURES

- Reliable and economical technology
- Quick assembly and disassembly
- Can be used for a variety of applications
- Low pressure loss and line transfer without retention
- Easy to adjust operating devices

## SPECIFICATIONS

### DIMENSIONS

- SMS - DIN - US
- from DN 25 (1") to DN 150 (6")

### MATERIALS

- Half body: stainless steel 316L
- Disc: stainless steel 316L
- Seal: EPDM - fluorinated elastomer (FKM) or silicon
- Operating devices: stainless steel 304

### CONNECTIONS

- |                  |                         |
|------------------|-------------------------|
| CONNECTION TYPES | STANDARDS               |
| To weld          | SMS - DIN - US standard |
| Threaded         | SMS - DIN               |
| Liner-nut        | SMS - DIN               |
| Clamp            | US standard             |

### OPERATING DEVICES

- MANUAL - DPX**
- Right-opening standard or trigger handle
- Left-opening standard or trigger handle
- Simple adjusting handle
- Micrometric handle

### AUTOMATIC - DPAX

- Single or double acting valve actuator

### SIGNALLING EQUIPMENT

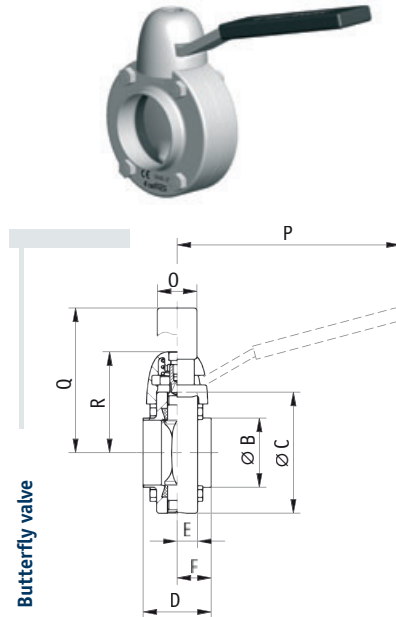
- Visible on single or double stainless steel bracket
- Point-to-point or AS-i control unit
- ICS (from DN 25 to DN 150)
- ACS (from DN 25 to DN 150)

### SURFACE CONDITIONS

- RA exterior = 1.2 µm (150 grit)
- RA interior = 0.8 µm (180 grit)

### SERVICE CONDITIONS

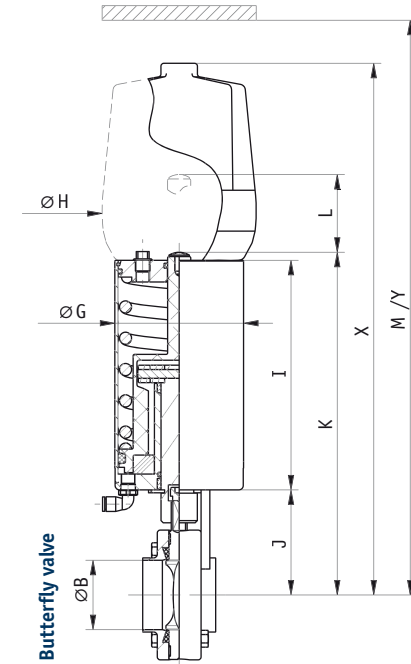
- Max. temperature: +120°C (temperature depending on seal type)
- Min. temperature: 0°C
- Max. working pressure: from 4 to 10 bar (400 to 1000 kPa) depending on diameter
- Actuator air supply pressure: min. 5.5 bar (550 kPa) - max. 8 bar (800 kPa)
- Vacuum resistance: 0.4 cm<sup>3</sup>/s



DPX manual - standard handle



DPX manual - trigger handle



DPAX automatic

Tube ØB	ØC	D	E	F	ØG	ØH	I	J	K	L	M	O	P	Q	R	X	Y	Weight in Kg	
																		(with unit)	DPX
SMS 22.6/25	79	50	15	25	89	104	157	67	231	53	304	30	165	100	70	341	371	1.4	4.6
SMS 30/32	79	50	15	25	89	104	157	67	231	53	304	30	165	100	70	341	371	1.3	4.5
SMS 35.6/38	79	50	15	25	89	104	157	67	231	53	304	30	165	100	70	341	371	1.3	4.5
SMS 48.5/51	89	50	15	25	89	104	157	73	237	53	310	30	165	105	75	347	377	1.6	4.8
SMS 60.3/63.5	104	50	15	25	89	104	157	82	246	53	319	30	165	112	83	356	386	1.7	4.9
SMS 72/76	119	50	15	25	89	104	157	91	255	53	328	30	165	120	91	365	395	2	5.2
SMS 100/104	149	58	19	29	114	140	174	101	285	53	363	35	260	155	112	410	445	4.1	9.9
DIN 26/28	79	50	15	25	89	104	157	67	231	53	304	30	165	100	70	341	371	1.4	4.6
DIN 32/34	79	50	15	25	89	104	157	67	231	53	304	30	165	100	70	341	371	1.3	4.5
DIN 38/40	79	50	15	25	89	104	157	67	231	53	304	30	165	100	70	341	371	1.3	4.5
DIN 50/53	89	50	15	25	89	104	157	73	237	53	310	30	165	105	75	347	377	1.6	4.8
DIN 66/70	119	50	15	25	89	104	157	91	255	53	328	30	165	120	91	365	395	2.1	5.3
DIN 81/85	129	58	19	29	89	104	157	90	274	53	352	30	165	145	101	381	434	3.4	9.2
DIN 100/104	149	58	19	29	114	140	174	101	285	53	363	35	260	155	112	410	445	4.1	9.9
DIN 125/129	179	58	19	29	114	140	174	116	300	53	383	35	260	170	128	425	465	4.5	10.3
DIN 150/154	204	58	19	29	114	140	173	129	312	53	395	35	260	190	140	437	480	5.6	12
US 1" (22.1/25.4)	79	50	15	25	89	104	157	67	231	53	304	30	165	100	70	341	371	1.4	4.6
US 1"1/2 (34.8/38.1)	79	50	15	25	89	104	157	67	231	53	304	30	165	100	70	341	371	1.3	4.5
US 2" (47.5/50.8)	89	50	15	25	89	104	157	73	237	53	310	30	165	105	75	347	377	1.6	4.8
US 2"1/2 (60.2/63.5)	104	50	15	25	89	104	157	82	246	53	319	30	165	112	83	356	386	1.7	4.9
US 3" (72.9/76.1)	119	50	15	25	89	104	157	91	255	53	328	30	165	120	91	365	395	2	5.2
US 4" (97.4/101.6)	149	58	19	29	114	140	174	101	285	53	363	35	260	155	112	410	445	4.1	9.9
US 6" (146.9/152.4)	204	58	19	29	114	140	173	129	312	53	395	35	260	190	140	437	480	5.6	12

# Interflange butterfly valves DPX EB - DPAX EB

## FEATURES

- New compact interflange valve design
- O-rings that seal between the half bodies and the flange
- Quick assembly and disassembly
- Can be used for a variety of applications
- Low pressure loss and line transfer without retention
- Easy to adjust operating devices

## SPECIFICATIONS

### DIMENSIONS

- SMS - DIN - US  
from DN 25 (1") to DN 150 (6")

### MATERIALS

- Half body: stainless steel 316L
- Disc: stainless steel 316L
- Weld end: stainless steel 316L
- Seal: EPDM - fluorinated elastomer (FKM) or silicon
- Flange and fastening: stainless steel 304
- Operating devices: stainless steel 304

### OPERATING DEVICES

- MANUAL - DPX**  
Left standard or trigger handle  
Right standard or trigger handle

- AUTOMATIC - DPAX**  
Single or double acting valve actuator

### SIGNALLING EQUIPMENT

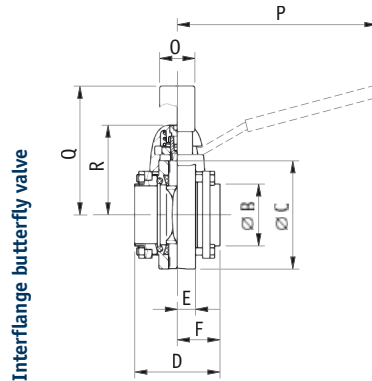
- Visible on single or double stainless steel bracket
- Point-to-point or AS-i control unit
- ICS (from DN 25 to DN 150)
- ACS (from DN 25 to DN 150)

### SURFACE CONDITIONS

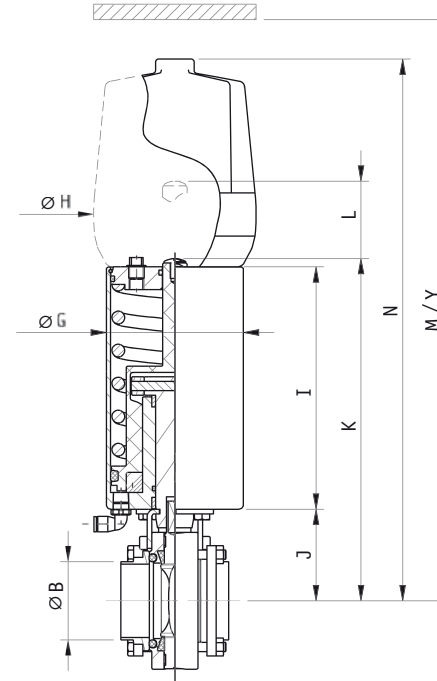
- RA exterior = 1.2 µm (150 grit)
- RA interior = 0.8 µm (180 grit)

### SERVICE CONDITIONS

- Max. temperature: +120°C (temperature depending on seal type)
- Min. temperature: 0°C
- Max. working pressure: from 4 to 10 bar (400 to 1000 kPa)  
depending on diameter
- Actuator air supply pressure:  
min. 5.5 bar (550 kPa) - max. 8 bar (800 kPa)
- Vacuum resistance: 0.4 cm³/s



DPX EB manual



DPAX EB automatic



Tube ØB	ØC	D	E	F	ØG	ØH	I	J	K	L		N	O	P	Q	R	Y	Weight in Kg	
										(stroke)	(without unit)							(with unit)	DPX
SMS 22.6/25	79	68	15	34	89	104	157	55	218	53	291	347	30	165	100	70	371	1.8	5.1
SMS 30/32	79	68	15	34	89	104	157	55	218	53	291	347	30	165	100	70	371	1.6	5
SMS 35.6/38	79	70	15	35	89	104	157	55	218	53	291	347	30	165	100	70	371	1.8	4.9
SMS 48.5/51	89	70	15	35	89	104	157	60	223	53	296	352	30	165	105	75	377	1.8	5.1
SMS 60.3/63.5	104	82	15	41	89	104	157	68	230	53	303	360	30	165	112	83	386	3.9	5.9
SMS 72/76	119	82	15	41	89	104	157	76	239	53	312	368	30	165	120	91	395	3.9	6.4
SMS 100/104	149	90	19	45	114	140	174	90	275	53	353	416	35	260	155	112	445	5.1	10.7
DIN 26/28	79	68	15	34	89	104	157	55	218	53	291	347	30	165	100	70	371	1.8	5.1
DIN 32/34	79	68	15	34	89	104	157	55	218	53	291	347	30	165	100	70	371	1.6	5
DIN 38/40	79	70	15	35	89	104	157	55	218	53	291	347	30	165	100	70	371	1.8	4.9
DIN 50/53	89	70	15	35	89	104	157	60	223	53	296	352	30	165	105	75	377	1.8	5.1
DIN 66/70	119	82	15	41	89	104	157	76	239	53	312	368	30	165	120	91	395	3.5	6.2
DIN 81/85	129	82	15	41	89	104	157	76	239	53	317	368	30	165	120	91	395	4.1	6.6
DIN 100/104	149	90	19	45	114	140	174	90	275	53	353	416	35	260	155	112	445	5.1	10.7
DIN 125/129	179	92	19	46	114	140	174	105	291	53	374	431	35	260	170	128	471	7.1	12.5
DIN 150/154	204	92	19	46	114	140	174	118	303	53	386	444	35	260	190	140	487	8.4	13.6
US 1" (22.1/25.4)	79	68	15	34	89	104	157	55	218	53	291	347	30	165	100	70	371	1.8	5.1
US 1 1/2 (34.8/38.1)	79	70	15	35	89	104	157	55	218	53	291	347	30	165	100	70	371	1.8	4.9
US 2" (47.5/50.8)	89	70	15	35	89	104	157	60	223	53	296	352	30	165	105	75	377	1.8	5.1
US 2 1/2 (60.2/63.5)	104	82	15	41	89	104	157	68	230	53	303	360	30	165	112	83	386	3.9	5.9
US 3" (72.9/76.1)	119	82	15	41	89	104	157	76	239	53	312	368	30	165	120	91	395	3.9	6.4
US 4" (97.4/101.6)	149	90	19	45	114	140	174	90	275	53	353	416	35	260	155	112	445	5.1	10.7
US 6" (146.9/152.4)	204	92	19	46	114	140	174	118	303	53	386	444	35	260	190	140	487	8.4	13.6