

Ball valves DBX - DBAX

The operating conditions are given for information. Some combinations of extreme operating conditions are not always suitable. It is highly recommended to ask for advice from our technical department.

FEATURES

- Valves used for auxiliary circuits
- Available with full or reduced port

SPECIFICATIONS

DIMENSIONS

- Full port from DN8 to DN50
- Reduced port from DN 15 to DN 65

MATERIALS

Stainless steel 1.4404 / 316L and PTFE

CONNECTIONS

CONNECTION TYPES STANDARDS
To weld ISO - SMS - DIN

OPERATING DEVICES

MANUAL - DBX

Right or left opening standard handle

AUTOMATIC - DBAX

Fitted with pneumatic DPAX butterfly valve actuator

SIGNALLING EQUIPMENT

Visible on single or double stainless steel bracket

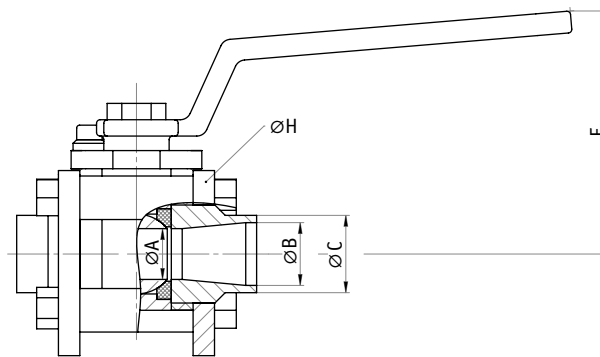
Point-to-point or AS-i control unit

ICS (from DN 8 to DN 65)

ACS (from DN 8 to DN 65)

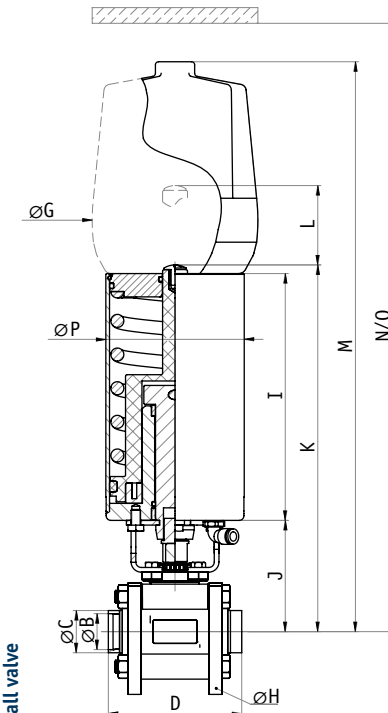
SERVICE CONDITIONS

- Max. temperature: +160°C/+ 320°F
- Min. temperature: - 30°C/- 22°F
- Max. working pressure: 20 bar (2000 kPa)/290 psi
- Actuator air supply pressure: min. 5.5 bar (550 kPa)/80 psi max. 8 bar (800 kPa)/116 psi



Ball valve

DBX manual



Ball valve

DBAX automatic



Full port Ø ISO	ØA	ØB	ØC	D	E	F	ØG	ØH	I	J	K	L	M		N	O	ØP	Weight in Kg	
													(stroke)	(without unit)				(with unit)	DBX
Ø8	11.1	9.5	13.5	65	70	120	104	56	157	58	221	49	385	290	415	89	0.7	4.1	
Ø12	11.1	13.2	17.2	65	70	120	104	56	157	58	221	49	385	290	415	89	0.7	4.1	
Ø15	14	17.3	21.3	70	73	120	104	63	157	61	224	49	388	293	418	89	0.8	4.2	
Ø20	19	22.9	26.9	85	91	160	104	80	157	71	234	49	398	303	428	89	1.6	5	
Ø25	25	29.7	33.7	100	95	160	104	88	157	75	238	49	402	397	432	89	2.1	5.5	
Ø32	32	37.2	42.4	110	111	190	104	104	157	93	256	49	420	325	450	89	3.3	6.7	
Ø40	38	43.1	48.3	125	116	190	104	117	157	98	261	49	425	330	455	89	4.3	7.7	
Ø50	50	54.5	60.3	150	137	230	104	148	174	119	282	51	446	353	476	114	8.7	12.1	
Reduced port Ø ISO																			
Ø15	11.1	17.3	21.3	65	70	120	104	56	157	58	221	49	385	290	415	89	0.7	4.1	
Ø20	14	22.9	26.9	70	73	120	104	63	157	61	224	49	388	293	418	89	0.8	4.2	
Ø25	19	29.7	33.7	85	91	160	104	80	157	71	234	49	398	303	428	89	1.6	5	
Ø32	25	37.2	42.4	100	95	160	104	88	157	75	238	49	402	307	432	89	2.1	5.5	
Ø40	32	43.1	48.3	110	111	190	104	104	157	93	256	49	420	325	450	89	3.1	6.5	
Ø50	38	54.5	60.3	125	116	190	104	117	157	98	261	49	425	330	455	89	4.3	7.7	
Ø65	50	70.3	76.1	150	137	230	104	148	174	119	282	51	446	353	476	114	8.6	12	